

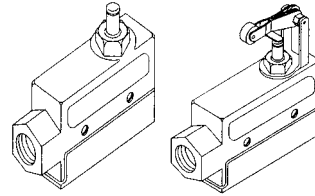
ARISTOCRAT ACCESSORIES

BASIC CONTROL PACKAGE

Recommended for openings where the door stays open or does not have a lot of traffic.

Includes: NEMA 1 Door Switch Plunger Style or Roller Style

BASIC PACKAGE	PART NO.
NEMA 1 Plunger	9503SD020-P
NEMA 1 Roller	9503SD020-RA



**LINE VOLTAGE
CONTROL**

NOTE: If there are multiple manual doors on the openings, add NEMA 1 plunger (part #9503SD020-P) or NEMA 1 roller (part # 9503SD020-RA) for each additional switch required.

Includes: Door Switch Magnetic Reed with Transformer

BASIC 24V PACKAGE	PART NO.
Basic 120-240V	91STR120-BA-M-24



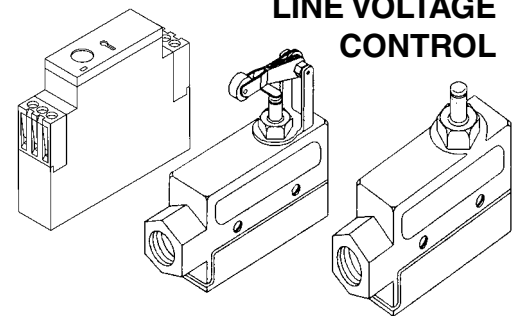
**24 VOLT
CONTROL**

DELUXE CONTROL PACKAGE

Recommended for high traffic openings.

Includes: NEMA 1 Door Switch Plunger Style or Roller Style
Factory Installed Time Delay Relay

DELUXE PACKAGE	PART NO.
NEMA 1 Plunger 120V	91STR120-DA-P
NEMA 1 Roller 120V	91STR120-DA-R
NEMA 1 Plunger 208-240V	91STR208-DA-P
NEMA 1 Roller 208-240V	91STR208-DA-R
NEMA 1 Plunger 480V	91STR480-DA-P
NEMA 1 Roller 480V	91STR480-DA-R

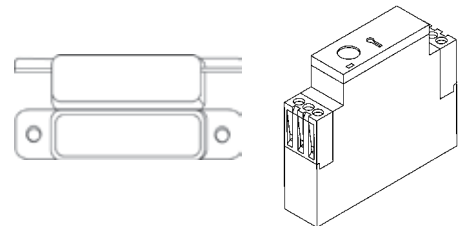


**LINE VOLTAGE
CONTROL**

NOTE: If there are multiple manual doors on the opening, add plunger (part #9503SD020-P), or roller (part # 9503SD020-RA) for each additional switch required.

Includes: Door Switch Magnetic Reed
Factory Installed Transformer, Time Delay

DELUXE 24V PACKAGE	PART NO.
120-240V	91STR120-DA-M-24
480V*	91STR480-DA-M-24



24 VOLT CONTROL

* 480V applies to single speed unit only

NOTE: If there are multiple manual doors on the opening, add part #9503MRS1F2-NC-K for each additional switch required.

Three-Speed Heated Units Only

COMFORT Plus CONTROL PACKAGE

Provides supplemental heat when door is closed.

Includes: Door Switch Magnetic Reed
Factory Installed Transformer and Time Delay
Remote Thermostat

COMFORT PACKAGE	PART NO.
120V	91STR120-PH-M-24
208-240V	91STR208-PH-M-24

NOTE: If there are multiple manual doors on the opening, add part #9503MRS1F2-NC-K for each additional switch required.

24 VOLT CONTROL

Comfort Plus Control Package allows the Air Curtain to run at speed selected to protect the opening when the door is open. When the door is closed the Air Curtains runs at low speed for supplemental heat until the thermostat is satisfied.

PROVISION FOR CONTROL BY BUILDING/ENERGY MANAGEMENT SYSTEM AVAILABLE (Consult Factory)

ARISTOCRAT

ACCESSORIES

DESCRIPTION	PART NO.
ELECTRICAL ACCESSORIES	
Single Speed Selector Switches	
Unheated (Max. 20 amps, 120-240V)	33A020W-SS-WHT-K Remote Mounted
Unheated (Max. 20 amps, 120-480V)	(ADD -B To Unit Model) Factory Installed
<i>Use if remote switch is required. All three speed and electric heated units are standard with built-in on/off switch</i>	
Electric Heat (Single phase only) 3 hp @ 120V/1Ø, 6 hp @ 208V, 240V/1Ø	9505T326123 (ADD -R To Unit Model)
Three Speed Selector Switches	
Unheated (Basic or Deluxe Control Package) 1½ hp @ 120V/1Ø, 3 hp @ 208-240V/1Ø	9505T324960 (ADD -R To Unit Model)
Electric Heated (Basic, Deluxe or Comfort Plus Control Package) 1½ hp @ 120V/1Ø, 3 hp @ 208-240V/1Ø	9505T324826 (ADD -R To Unit Model)
Hand/Off/Automatic Switches	
Remote Hand/Off/Auto Selector Switch <i>Basic Control Package only</i> 1½ hp @ 120V/1Ø, 4 hp @ 208-240V/1Ø	9505T0215432
Hand/Off/Automatic Switch <i>Pilot Duty (Deluxe Control Package only)</i>	9505HOAR
Thermostat 2-Pole	9502DS2T-P Remote Mounted
Locking Cover For Thermostat	95022E999
Toggle Disconnect Remote Mounted	
30 amp 120-240V, 1Ø (2 hp max)	95083032C
30 amp 208-600V, 1Ø (2 hp max) or 3Ø	95081389C
40 amp 120-600V, 1Ø (2 hp max) or 3Ø	950840003C
60 amp 208-600V, 3Ø	950860303C
MECHANICAL ACCESSORIES	
Damper Plate for single speed to reduce air flow. Mounted on one side of fan housing.	37LWA000DP
Top Mounting Bracket (Two Required Per Unit)	66LWA000TOP
Correction Tamper Proof Package	Add Suffix -TP to Model # <i>Example: STF1036AA-TP</i>