

SchwankAir

AIR CURTAIN – 1200 SERIES INSTALLATION MANUAL

AC-1036-12-BK
AC-1048-12-BK
AC-1060-12-BK

Schwank:

USA

2 Schwank Way
Waynesboro, GA 30830

Canada

5285 Bradco Blvd.
Mississauga, ON L4W 2A6



Tel: 1-877-446-3727
Fax: 1-866-361-0523
www.schwankair.com
csr@schwankgroup.com

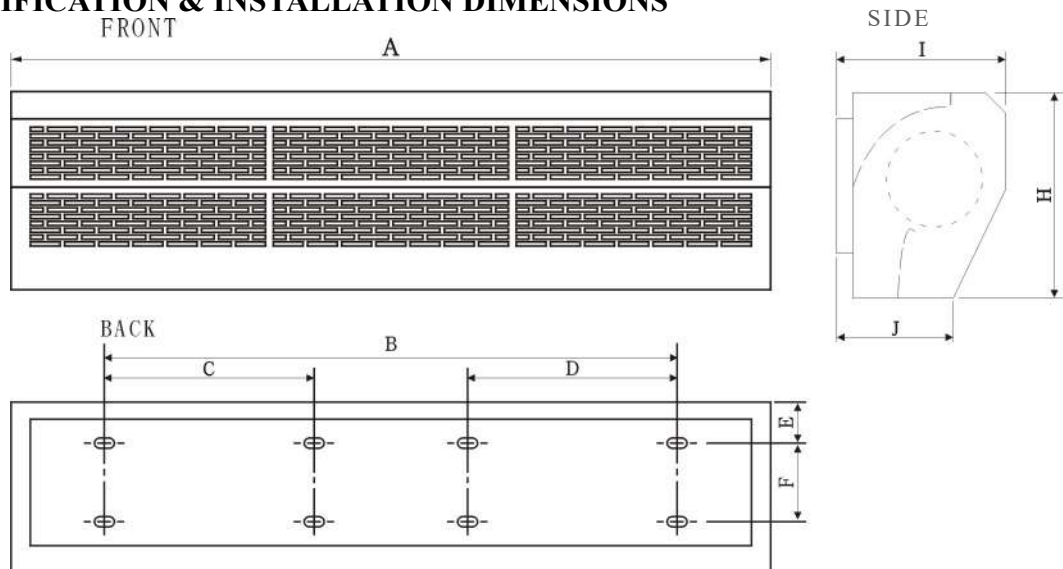
IM010919
1200 Series User Manual
September 1, 2019
RL: 1A

READ ALL INSTRUCTIONS CAREFULLY BEFORE INSTALLING OR USING THIS AIR CURTAIN.

1. PRODUCT INTRODUCTION

Schwankair's newest top of class high efficiency air curtain provides excellent control of heat/cool loss in conditioned spaces allowing for lower energy costs. This new series also prevents flying insect protection. Common uses are retail doors such as restaurants, hotels, shopping malls, storage facilities. These products are easy to install and comes with a 120V plug, 2 speeds, a remote control and door switch, coverage for doors 3', 4' & 5' or double up for wider applications.

2. IDENTIFICATION & INSTALLATION DIMENSIONS

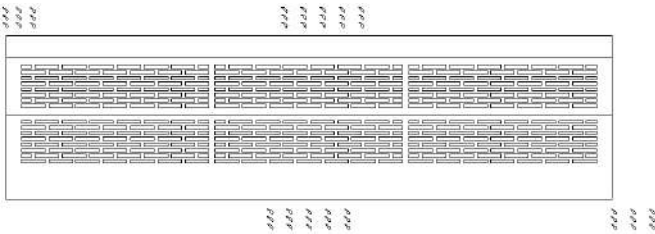


MODEL	A inches [mm]	B inches [mm]	C inches [mm]	D inches [mm]	E inches [mm]	F inches [mm]	H inches [mm]	I inches [mm]	J inches [mm]
AC-1036-12-BK	37.20 [945]	17.33 [440]	---	---	2.05 [52]	5.71 [145]	10.24 [260]	8.66 [220]	5.12 [130]
AC-1048-12-BK	49.21 [1250]		---	---					
AC-1060-12-BK	61.18 [1554]	33.07 [840]	---	---					

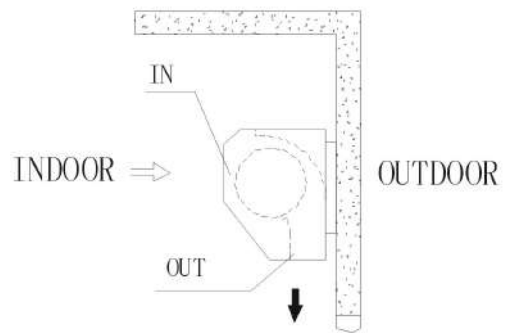
3. INSTALLATION CAUTION

Must follow the following steps to install the 1200 series air curtain:

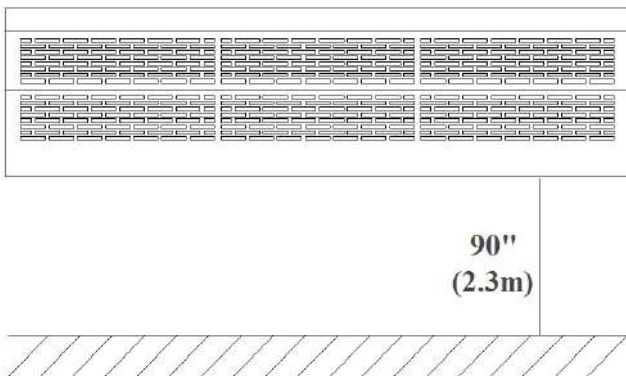
3.1 Install the unit to a rigid and sturdy structure to avoid shaking. Improper installation location may cause excessive vibration and noise.



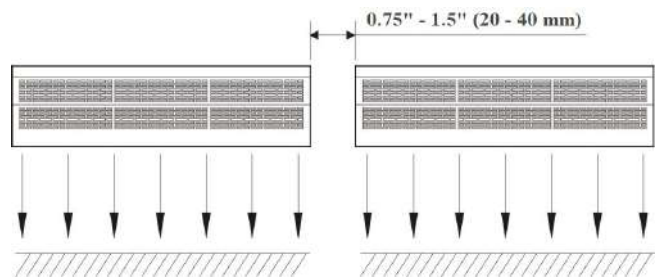
3.2 Units for indoor use only.



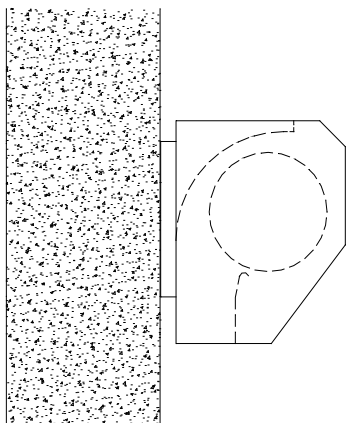
3.3 Do Not install the unit too low, no less than 90 inches (2.3 meters) from the ground.



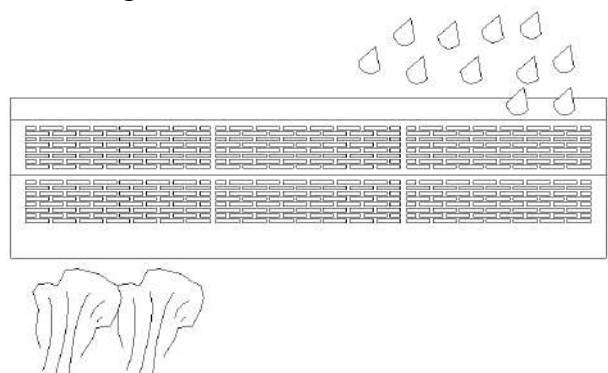
3.4 When the entrance is wider than the unit, it is recommended to install two or more units. Provide a gap of 0.75"–1.5" (20–40 mm) between units.



3.5 Do Not leave gaps between the unit and the wall. When hanging the unit from the ceiling, use the enclosed ceiling brackets.



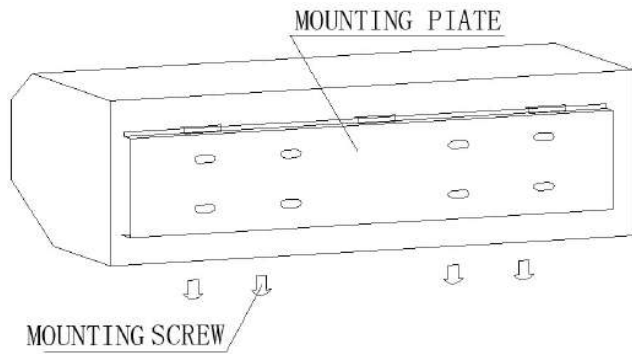
3.6 Do Not install where unit may be splashed by liquid, exposed to excessive steam, or explosive / corrosive gas.



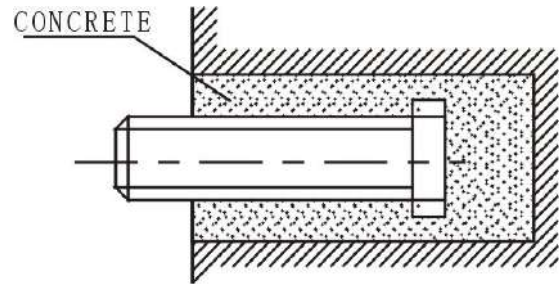
4. INSTALLATION

A. Installing on a concrete wall:

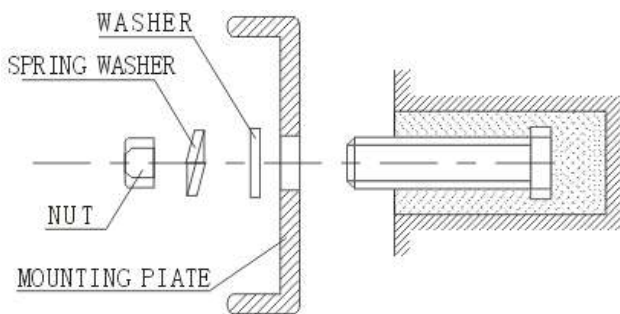
4.1.1 Remove the mounting plate from the back of the air curtain by removing the mounting screws at the bottom flange. Retain the mounting screws



4.1.2 Drill anchor points in the wall and fix the bolts in the proper position. Use the mounting plate as a template to mark the fastener locations.

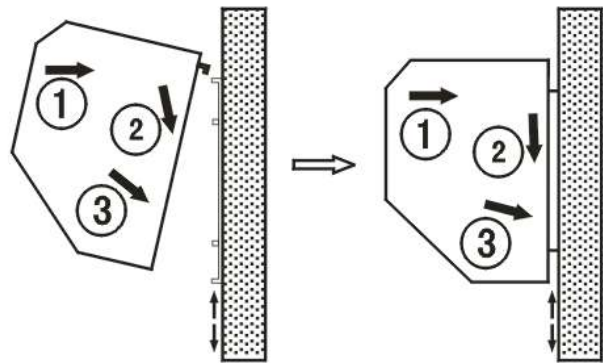


4.1.3 After anchoring the mounting bolts, fit the mounting plate (use the washer and nut according to the Figure below).



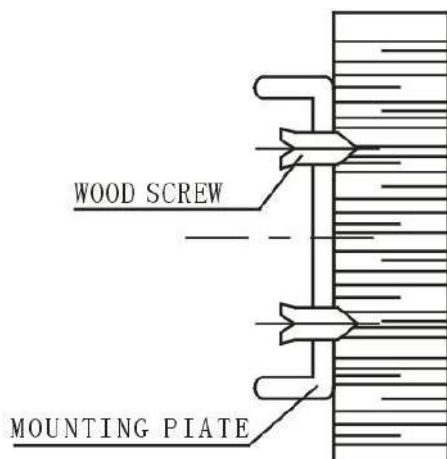
4.1.4 Install the main body.

Put the main body on the upper end of the mounting plate and clamp it as shown.

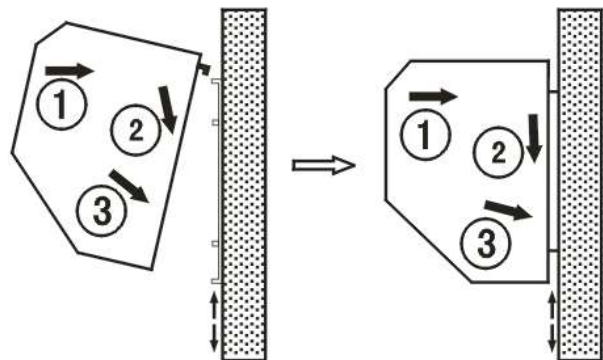


B. Installing on a wood wall:

4.2.1 Fix the mounting plate in the proper position with tapping screw.



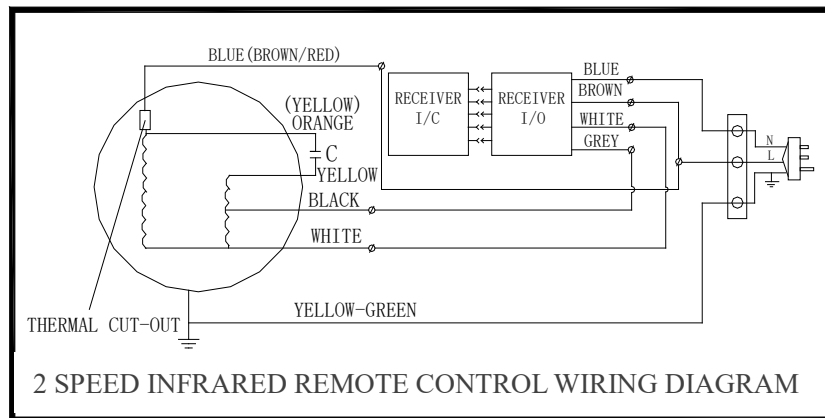
4.2.2 Same as step 4 of A



5. TECHNICAL PARAMETER

MODEL	Volt. (V~)	Freq (Hz)	Max input power (W)		Max air speed (m/s)		Air volume (cfm)		Noise (dB)		Net weight	
			H	L	H	L	H	L	H	L	lb.	kg
AC-1036-12-BK	120	60	380	300	13	10	1177	942	67	65	29.8	13.5
AC-1048-12-BK			530	450			1648	1295	69	67	37.5	17
AC-1060-12-BK			690	610			2119	1648	71	69	46.3	21

6. WIRING DIAGRAM



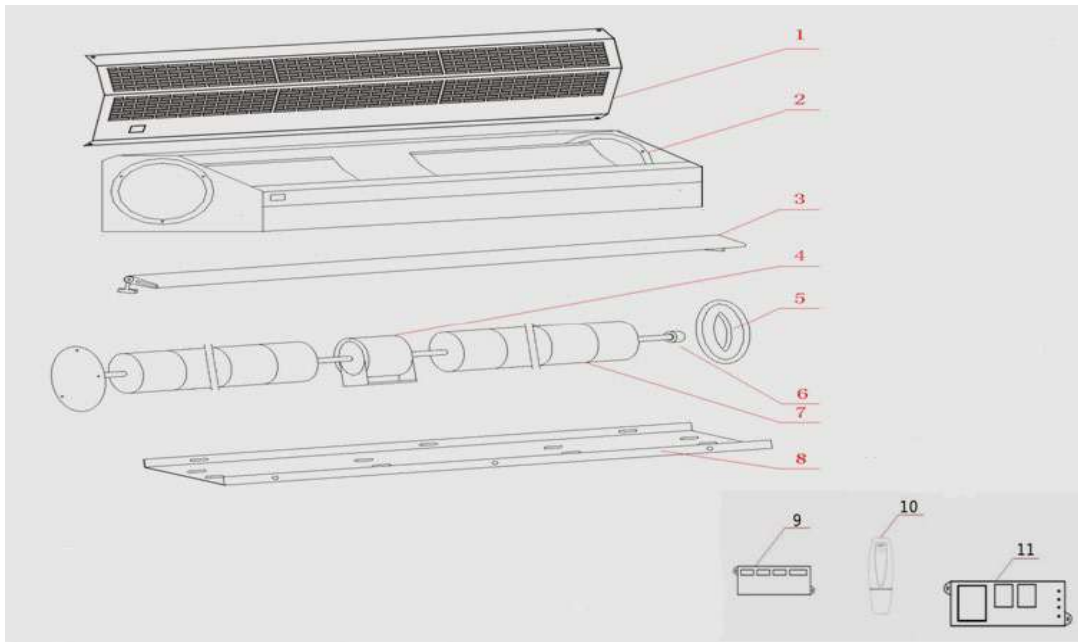
7. OPERATION

- 7.1 Turn on the power switch
- 7.2 Select the desired speed; High[H], Low[L]
- 7.3 Adjust the directional vane for optimal effect.

8. CAUTIONS

- a) Use the unit at the rated voltage and frequency indicated on the nameplate.
- b) Always disconnect the main electrical supply before installing, maintaining, or repairing this equipment.
- c) Routine maintenance must be done every year.
- d) Never use petrol, benzene, thinner or any other such chemical for clearing the unit.
- e) Do Not install the unit within proximity of water or excessive amount of moisture.
- f) All electrical wiring and connections MUST be performed by qualified personnel in accordance with the National Electrical Code ANSI/NFPA No. 70 or the Canadian Electrical Code CSA Standard C22.1, and local codes and regulations.

9. REPLACEMENT PARTS LIST



Items	Item Description	Parts Number	For Model Number
1	Face plate	N/A	N/A
2	Casing	N/A	N/A
3	Air guide grill	N/A	N/A
4	Motor (36")	JC-0163-36	AC-1036-12-BK
	Motor (48")	JC-0163-48	AC-1048-12-BK
	Motor (60")	JC-0163-60	AC-1060-12-BK
5	Bearing block	JC-0141-XX	ALL MODELS
6	Bearing	JC-0143-XX	ALL MODELS
7	Left wind wheel (36")	JC-0166-36	AC-1036-12-BK
	Right wind wheel (36")	JC-0165-36	AC-1036-12-BK
	Left wind wheel (48")	JC-0166-48	AC-1048-12-BK
	Right wind wheel (48")	JC-0165-48	AC-1048-12-BK
	Left wind wheel (60")	JC-0166-60	AC-1060-12-BK
	Right wind wheel (60")	JC-0165-60	AC-1060-12-BK
8	Installation plate	N/A	N/A
9	Remote controller-Receiver	JC-0122-XX	ALL MODELS
10	Remote controller-Sender	JC-0120-XX	ALL MODELS
11	Control Board – PCB	JC-0110-XX	ALL MODELS

10. WARRANTY

The Manufacturer warrants that this product is free from defects in material or workmanship under normal use and service subject to the terms of this document.

ONE YEAR WARRANTY

Subject to the conditions and limitations stated herein, during the term of this limited warranty, we will supply any component part (at our option a new or repaired component part) of the heater as defined below, which the Manufacturer's examination determines to be defective in workmanship or material for a period of one (1) years from the date of installation, unless otherwise specified below. This warranty applies to the heater's original owner, and subsequent transferees and only if the unit is installed, operated, and maintained in accordance with the printed instructions accompanying the unit and in compliance with all applicable installation codes and good trade practices.

WHAT IS NOT COVERED

The Manufacturer shall not be responsible for any expenses, including service, labor, diagnosis, analysis, material or transportation charges incurred during removal or reinstallation of this product, or any of its components or parts. All labor or service charges shall be paid by the owner. This warranty does not cover products improperly installed, misused, exposed to or damaged by negligence, accident, corrosive or contaminating atmosphere, water, excessive thermal shock, impact, abrasion, normal wear due to use, alteration or operation contrary to the owner's manual or if the serial number has been altered, defaced or removed. This warranty shall not apply if the electrical input to the product varies by more than $\pm 10\%$ of the rated input on the rating plate. The Manufacturer shall not be liable for any default or delay in performance by its warranty caused by any contingency beyond its control, including war, government restrictions, or restraints, strikes, fire, flood, acts of God, or short or reduced supply of raw materials or products.

LIMITATIONS AND EXCLUSIONS

This document contains all warranties made by the Manufacturer and may not be varied, altered or extended by any person. There are no promises, or agreements extending from the Manufacture other than the statements contained herein. THIS WARRANTY IS IN LIEU OF ALL WARRANTIES EXPRESSED OR IMPLIED, TO THE EXTENT AUTHORIZED BY THE LAWS OF THE JURISDICTION, INCLUDING SPECIFICALLY THE WARRANTIES OR MERCHANTABILITY OF FITNESS FOR A PARTICULAR PURPOSE.

It is understood and agreed that the Manufacturer's obligation hereunder is limited to repairing or replacing parts determined to be defective as stated above. In no event shall the Manufacturer be responsible for any alleged personal injuries or other special, incidental or consequential damages. As to property damages, contract, tort or other claim the Manufacturer's responsibility shall not exceed the purchase price paid for the product.

All replacement parts will be warranted for the unused portion of the warranty coverage period remaining on the applicable unit.

Some Authorities do not allow certain warranty exclusions or limitations on duration of warranty or the exclusions or limitations of incidental or consequential damages. In such cases, the above limitations or exclusions may not apply to you and are not intended to do so where prohibited by law. This warranty gives you specific legal rights. You may also have other rights which vary by jurisdiction.