

AGRIFAN

Platinum Line - 190A-7R

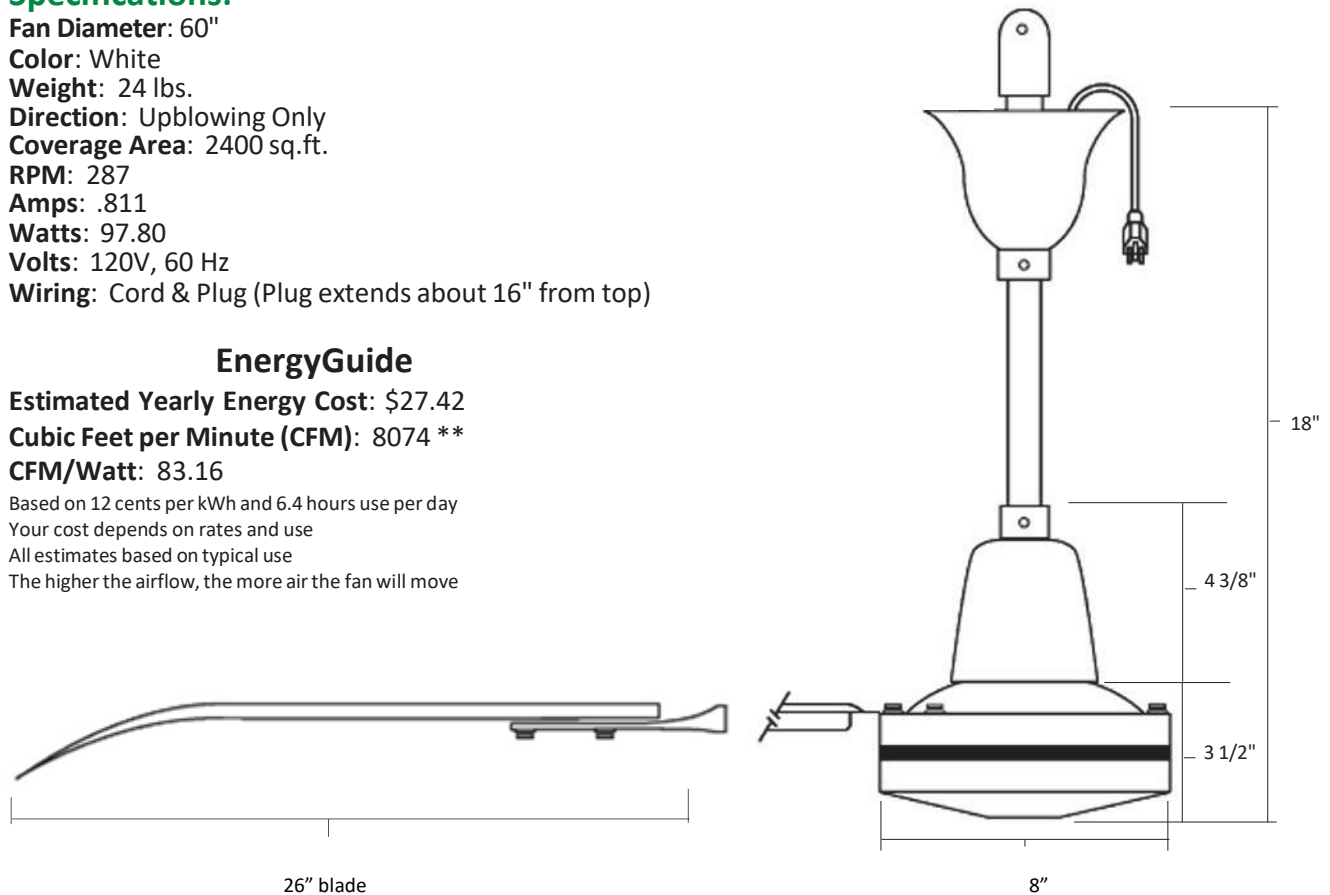
Specifications:

Fan Diameter: 60"
Color: White
Weight: 24 lbs.
Direction: Upblowing Only
Coverage Area: 2400 sq.ft.
RPM: 287
Amps: .811
Watts: 97.80
Volts: 120V, 60 Hz
Wiring: Cord & Plug (Plug extends about 16" from top)

EnergyGuide

Estimated Yearly Energy Cost: \$27.42
Cubic Feet per Minute (CFM): 8074 **
CFM/Watt: 83.16

Based on 12 cents per kWh and 6.4 hours use per day
Your cost depends on rates and use
All estimates based on typical use
The higher the airflow, the more air the fan will move



Features:

- Thermo Protected Motor
- Cast Iron Motor Housing
- Aluminum Blades
- UL Listed
- UL Waterspray Tested & Approved
- 3 year warranty for agricultural applications
- 10" Downrod (1" OD)
- 2 Mounting Options: Lag Screw or EZ Mount Bracket to UL approved fan box



Note: Per UL 507 Regulations, fan blades must be 10 feet or more above floor
If fan blades are less than 10 feet above floor, a ceiling fan guard is required
CFM Measured from fan hung from 10' high ceiling with standard downrod
Technical specifications subject to change without notice

Northwest Envirofan

A Division of Northwest Environmental Systems, Inc.

Envirofan Ceiling Fans • Protecto-Guard Ceiling Fan Guards • Fan Controls

info@envirofan.com
(920) 235-7808
www.envirofan.com